



ERTELALSOP

THE FIRST NAME IN LIQUID FILTRATION

EA 470 & EA 630 FILTER PRESSES

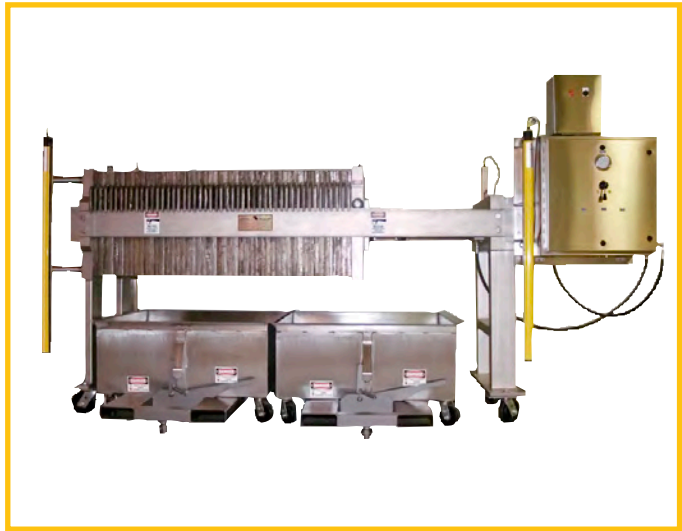
For use in a wide variety of applications, ErtelAlsop offers Model EA 470 and 630 Series Filter Presses. Supplied with lightweight, economical polypropylene plates, these filters are ideal for processes that require 0.5 to 12 cubic feet of solids handling. With gasketed plates standard, these heavy-duty presses are exceptionally suited for all applications where leakfree processing is required.

STANDARD FEATURES

- High Strength Carbon Steel Skeleton
- Chemically Resistant Painted Framework
- 304 Stainless Steel Side Bar Wear Strips
- Schedule 80 PVC Head Connections
- 4 Corner Discharge Porting
- Caulk & Gasketed Recessed Polypropylene Plates
- 32mm Cake Thickness
- Hydraulic Closure System
- Full Six Year Framework Warranty

OPTIONAL FEATURES

- Flush Plate and Frames
- Membrane/Squeeze Plates
- Membrane Water Squeeze System
- Various Plate Materials
- Uniform Fill Manifold - Stainless, Aluminum, Carbon Steel, FRP or CPVC
- Head Connections - Stainless, Aluminum, Carbon Steel, FRP or CPVC
- Cake Carts or Chute
- Plate Shifter
- Leg Extensions
- Elevated Platforms
- Safety Gates, Lanyards or a Safety Light Curtain
- Splash Curtains
- Semi-automatic or Automatic Bombay Doors
- Feed Pumps: Air Operated Diaphragm (AOD)
- Automatic Pump Controller
- Blanking Plate
- Thorough Wash Capability
- Expansion Capability
- Alternating Discharge (1B & 3B)
- Automatic Air/Oil Hydraulic Closure System
- Electric Hydraulic Closure with PLC Controls
- Cake Thickness from 20-50 mm
- Wide Selection of Filter Media
- Cloth Washers
- PLC Control



APPLICATIONS

- Industrial Wastewater
- Environmental Remediation
- Metals and Mining
- Petrochemical
- Pulp and Paper
- Food and Beverage
- Biodiesel Dry Wash Separation
- Ethanol Filtration

PRODUCT TESTING

Product testing is always available either at your facility, through our international network of distributors, or at our in-house laboratory.

PILOT TESTING - RENTALS

For in-plant testing and scale-up procedures, ErtelAlsop offers a variety of lab filters for rent. A portion of rental fees can be applied to the purchase of your full production filter.

FILTER MEDIA

As with all ErtelAlsop presses, media is available for any application and/or operating condition, and is chosen based on your specific operating conditions, the performance required by the filtering media, and criteria given to us by you and/or by sample processing we do in our lab. ErtelAlsop offers the widest varieties of media and construction techniques to provide good particle retention, clear filtrate, high flow rates, and dry filter cakes.

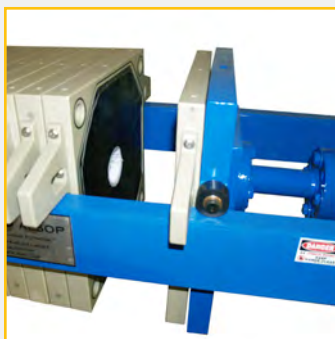
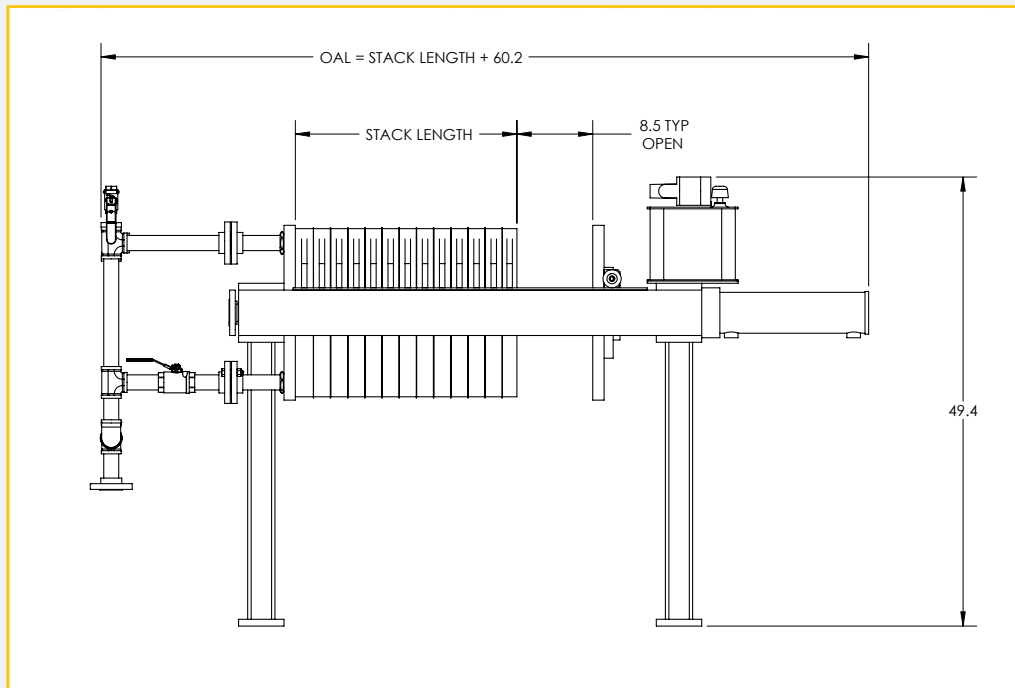
RECESSED CHAMBER

470 SPECIFICATIONS

Std. Height	44.5 in	(1,130 mm)
Std. Width	22.5 in	(572 mm)
Range of Length	50 -120 in	(1.27 - 3.05 m)
Capacity	0.8 - 2.9 ft ³	(0.02 - 0.08 m ³)
Std. Area	3.4 ft ²	(0.32 m ²)
Plate Dimension	18.5 in	(470 mm)
Discharge Ports	4 Corner	
Std. Vol./Chamber	0.15 ft ³	(0.004 m ³)

630 SPECIFICATIONS

Std. Height	50.25 in	(1,276 mm)
Std. Width	30 in	(762 mm)
Range of Length	70 - 260 in	(1.78 - 6.60 m)
Capacity	2.9 - 16.5 ft ³	(0.08 - 0.46 m ³)
Std. Area	6.37 ft ²	(0.59 m ²)
Plate Dimension	24.8 in	(630 mm)
Discharge Ports	4 Corner	
Std. Vol./Chamber	0.29 ft ³	(0.008 m ³)



For additional product information visit **ErtelAlsop.com**

Technical Bulletin 470-630-11

ErtelAlsop
 PO Box 3358
 Kingston, NY 12402 US

ErtelAlsop.com
 800.553.7835 Telephone
 845.339.1063 Fax

Keep in touch.
 Join our Newsletter to learn about the latest filter best practices and more!

Visit us at ErtelAlsop.com

Your Local Distributor